

# 45GP 45GSP

## Emergency Eye/Face Wash - Plumbed-in Type: Pedestal Mounted

Pedestal mounted emergency eye/face wash available with either galvanized or stainless steel pipework. This ANSI compliant model has an integral lid to protect the bowl and diffusers against dust and debris. Designed to be quick and easy to operate with high flow rate aerated diffusers for improved washing and a flow regulator valve. Includes universal eye wash sign for enhanced visibility.



shown with  
optional treadle

## Specifications

MATERIALS OF CONSTRUCTION	
PIPEWORK AND FITTINGS (G)	Galvanized mild steel tubulars and fittings
PIPEWORK AND FITTINGS (GS)	Stainless steel tubulars and fittings
EYE/FACE WASH BOWL/LID	Acrylic capped ABS
EYE/FACE WASH DIFFUSERS	Chrome plated brass with stainless steel mesh
OPERATING VALVE	Chrome plated brass
SERVICES	
WATER INLET	1 1/4 in Female NPT
DESIGN OPERATING PRESSURE	2.0 to 6 BAR G (29 to 87 PSI)
TEST PRESSURE	10.3 BAR G (149 PSI)
MINIMUM FLOW RATES	11.4 liters/minute minimum (3 US Gallons)
ENVIRONMENTAL OPERATING TEMPERATURE	
MINIMUM AMBIENT OPERATING TEMPERATURE	5° C (41° F)
MAXIMUM AMBIENT OPERATING TEMPERATURE	35° C (95° F)
ACTIVATION/OPERATION	
EYE/FACE WASH OPERATION	Pull lid forward to operate
NOMINAL WEIGHTS and DIMENSIONS	
DIMENSIONS (WxDxH)	502 mm (19.8 in) x 464 mm (18.3 in) x 1194 mm (47 in)
WEIGHT	10 kg (22 lb)

# HUGHES



HUGHES-SAFETY-SHOWERS.COM

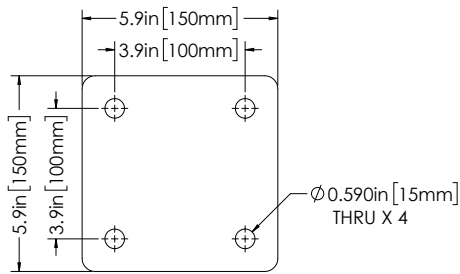
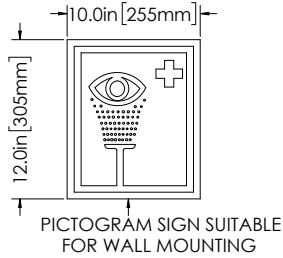
Justrite Safety Group

RM07285 RevA

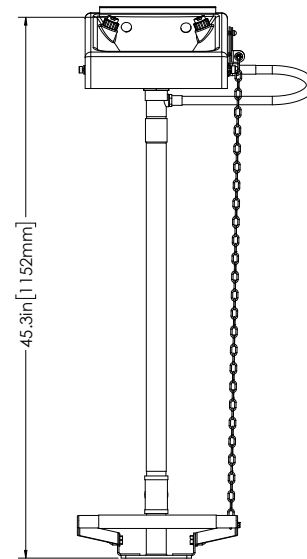
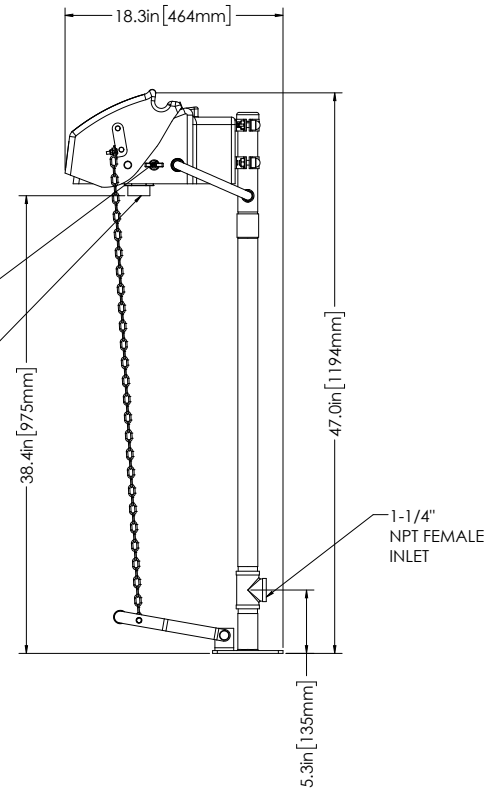
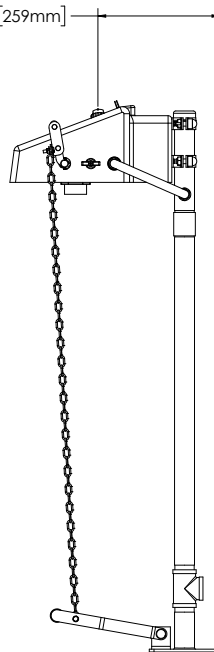
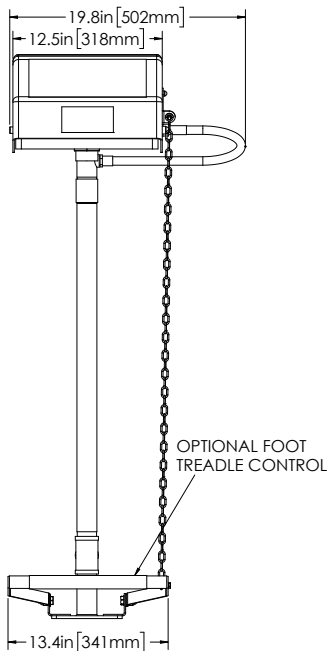
[hughes-safety-showers.com](http://hughes-safety-showers.com)

Emergency Eye/Face Wash - Plumbed in Type: Pedestal Mounted

VARIATIONS IN MANUFACTURING AND ASSEMBLY  
ALLOW FOR ±1/8 IN [3MM] PER THREADED JOINT.



FLOOR MOUNTING PLATE VIEW  
(MOUNTING HARDWARE NOT INCLUDED)



For Technical Support Contact:  
customer.service@hughes-safety.com • 1-866-312-1652

For Reorder & Sales Support Contact:  
custserv@justrite.com • 1-800-798-9250

**HUGHES**

HUGHES-SAFETY-SHOWERS.COM  
Justrite Safety Group

Hughes North America  
457 Campbell Street  
Sarnia, Ontario N7T 2J1, Canada.

Registered No. 0939240. VAT Registration No. 918 5005 32 ©2019 Hughes Safety Showers