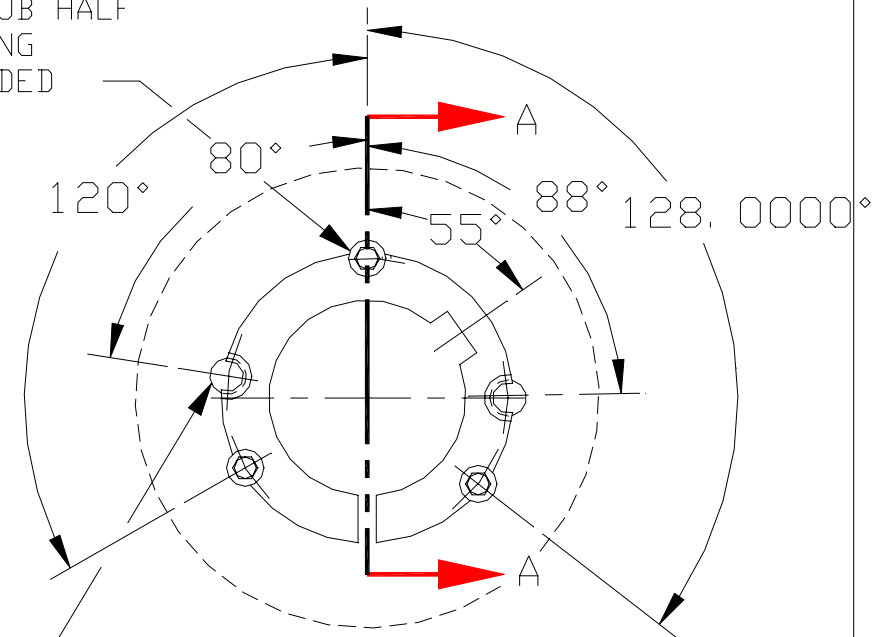
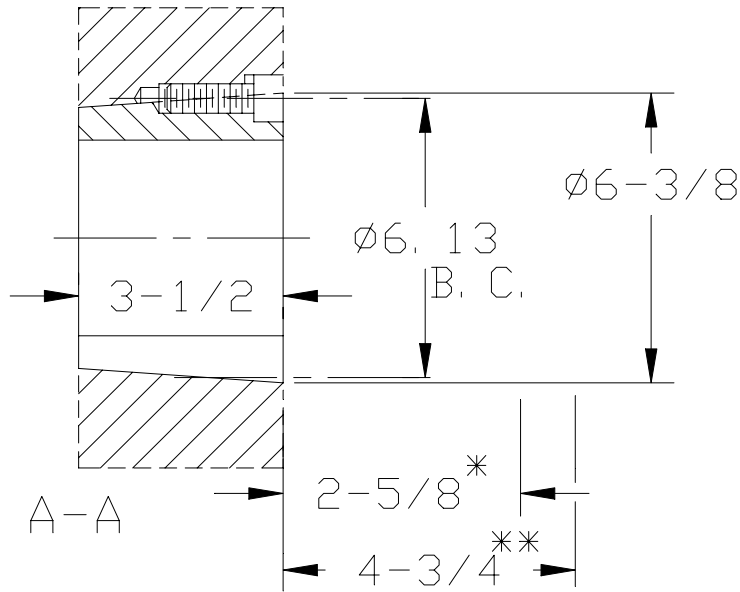


# 4535 TAPER-LOCK BUSHING

(3) 3/4-10 NC X 2" LG SOC HD  
CAP SCREWS FURNISHED W/ BUSHING  
FOR TIGHTENING ON SHAFT; HUB HALF  
OF HOLE IS THREADED-BUSHING  
HALF OF HOLE IS NOT THREADED




USE ONLY TWO SCREW FOR REMOVING  
FROM SHAFT:  
BUSHING HALF OF HOLE IS THREADED-  
HUB HALF OF HOLE IS NOT THREADED  
BORE:  
BUSHING KW:

CERTIFIED

\* SPACE REQD TO TIGHTEN BUSHING  
ALSO SPACE REQD TO LOOSEN SCREWS TO  
PERMIT REMOVAL OF HUB BY PULLER.  
\*\* SPACE REQD TO LOOSEN BUSHING USING  
TWO SCREW AS JACKSCREW-NO PULLER REQD.

8° INCLUDED ANGLE

CUSTOMER NAME:	APPROVED BY _____	DIST.
CUSTOMER DWG NO. :	DATE _____	
 THE GATES RUBBER CO. DENVER, COLORADO	DR. BY _____ DATE _____	DRAWING NO.
	CK. BY _____	
	APPD. BY _____	