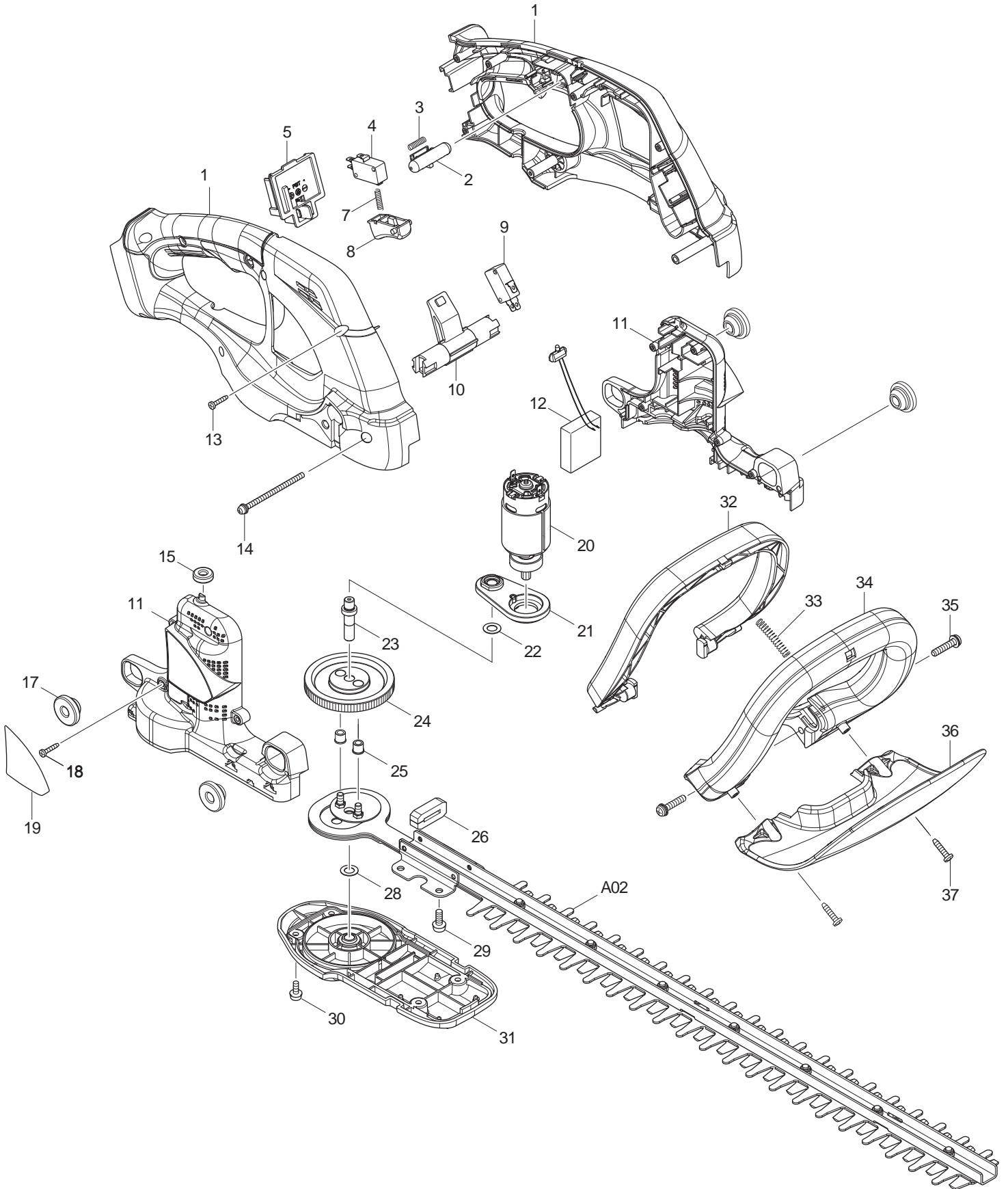




04 - 2014
DUH523Z / DUH523SF
18V 22" HEDGE TRIMMER



Item No	Type	Part No	Description	Qty	Unit
1		187286-4	HANDLE SET	1	SET
2		452438-9	LOCK OFF BUTTON	1	PC.
3		231473-8	COMPRESSION SPRING 4	1	PC.
4		651852-8	SWITCH V-15-1A5	1	PC.
5		643852-2	TERMINAL	1	PC.
7		231473-8	COMPRESSION SPRING 4	1	PC.
8		417564-1	SWITCH LEVER	1	PC.
9		651852-8	SWITCH V-15-1A5	1	PC.
10		452681-0	SWITCH ARM	1	PC.
11		187285-6	MOTOR HOUSING SET	1	SET
12		632A82-6	CONTROLLER UNIT	1	PC.
13		266429-2	TAPPING SCREW 3X16	6	PC.
14		911193-7	PAN HEAD SCREW M4X65	1	PC.
15		424195-9	RUBBER RING 6	1	PC.
17		424394-3	RUBBER RING 8	4	PC.
18		266429-2	TAPPING SCREW 3X16	5	PC.
19		815U45-9	NAME PLATE F/DUH523	1	PC.
20		629930-2	DC MOTOR	1	PC.
21		141211-9	BEARING BOX COMPLETE	1	PC.
22		253215-0	FLAT WASHER 8	1	PC.
23		326034-8	SPINDLE	1	PC.
24		227281-3	SPUR GEAR 93	1	PC.
25		262570-9	NYLON SLEEVE 5	2	PC.
26		423417-4	DUST GUARD	1	PC.
28		253215-0	FLAT WASHER 8	1	PC.
29		911218-7	PAN HEAD SCREW M5X14	4	PC.
30		911113-1	PAN HEAD SCREW M4X10	4	PC.
31		453317-4	UNDER COVER	1	PC.
32		452678-9	SWITCH LEVER B	1	PC.
33		234261-2	COMPLESSION SPRING 5	1	PC.
34		452682-8	FRONT GRIP	1	PC.
35		911243-8	PAN HEAD SCREW M5X25	2	PC.
36		142733-2	PROTECTOR COMPLETE	1	PC.
	INC.	804F56-9	CAUTION LABEL	1	PC.
	INC.	804F57-7	CAUTION LABEL	1	PC.
37		265995-6	TAPPING SCREW 4X18	2	PC.
<u>ACCESSORIES</u>			- See catalogue or visit www.makita.ca for more optional accessories -		
A01		453723-3	BLADE COVER	1	PC.
A02		195846-8	SHEAR BLADE COMPLETE SET	1	PC.
	INC.	188605-7	OIL VESSEL SET	1	PC.
	INC.	262570-9	NYLON SLEEVE 5	2	PC.
A03		195050-9	CHIP RECEIVER ASSEMBLY SET	1	PC.
A04		---	18V LI-ION BATTERY		
A05		---	BATTERY CHARGER		
A06		---	LI-ION BATTERY ACCESSORIES		