

▼ Shown from left to right: EP-206, EP-108



For Safer and Faster Pulling

- Patented “Safety Cage” jaw retention system
- Roll threaded shafts for less effort when applying high torque
- Slim tapered jaws for improved gripping in tight spots
- Available in 2 and 3 jaw design and inside and outside pulling configuration
- More efficient pulling, as one man can do the job where manual pullers often require two operators



Long Jaws

Long Jaws are used to increase the reach and spread of manual pullers. They maintain the same pulling capacity as the standard jaws, but reduces clamping force by 25%.

Page: 177



Shaft Attachments

Shaft protectors and extenders are live centers that fit over the standard puller shaft for tip protection and additional reach.

Page: 177



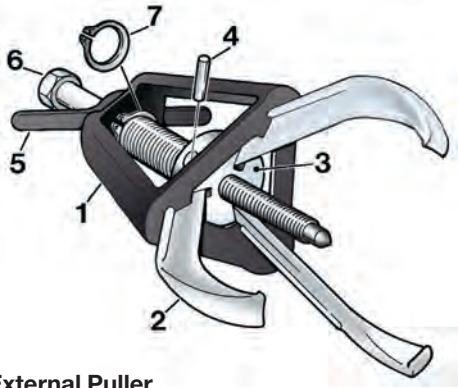
Application Tip

Because of the unique Safety Cage design, Posi Lock® pullers will grip on surfaces where normal pullers would slip off; e.g. tapered bearings.



◀ Positioning an EP-104, 3-jaw puller on the drive pulley of an electric motor.

Posi Lock® Mechanical Grip Pullers



External Puller

- 1 Patented "Safety Cage" guides jaws, holding them securely onto the part.
- 2 Durable forged jaws provide positive grip.
- 3 Jaw head provides pivot and reaction point for jaws.
- 4 Pin, for easy jaw removal and replacement.
- 5 T-handle provides control of the puller jaws.
- 6 Drive bolt with rolled threads for increased force with reduced input torque.
- 7 Snap-ring retains cage to drive bolt and provides quick removal for easy service.

EP EPP Series



Capacity:
2-40 tons

Maximum Reach:
4.00-14.00 inches

Spread Range:
0.50-25.00 inches

▼ QUICK SELECTION CHART EXTERNAL PULLERS

For full technical information see next page.

Number of Jaws	Maximum Reach (in)	Spread Range (in)	Capacity (tons)	Model Number	Center Bolt Diameter (in)	Weight (lbs)
2	4.00	.5-5	2	EP-204	.56	3
3	4.00	.5-5	5	EP-104	.56	4
2	6.00	.5-7.0	6	EP-206	.66	7
3	6.00	.5-7.0	10	EP-106	.66	8
2	8.00	.75-12	12	EP-208	.79	12
3	8.00	.75-12	17	EP-108	.79	14
2	9.67	1.0-15	14	EP-210	.79	13
3	9.67	1.0-15	20	EP-110	.79	16
2	12.00	2.5-18	25	EP-213	1.17	38
3	12.00	2.5-18	30	EP-113	1.17	44
2	14.00	3.0-25	35	EP-216	1.23	57
3	14.00	3.0-25	40	EP-116	1.23	68



Always wear Safety Goggles and Gloves while using pullers.



Application Tip

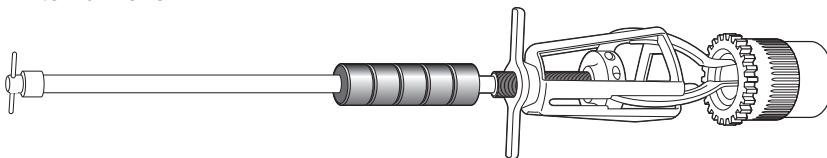
In determining the correct manual puller capacity for your application, use the following rule:

The center bolt diameter of the puller should be at least 1/2 the diameter of the shaft being pulled on.

Example:

A part being pulled from a shaft with a diameter of 1.5" would require a puller with a center bolt diameter of at least .75".

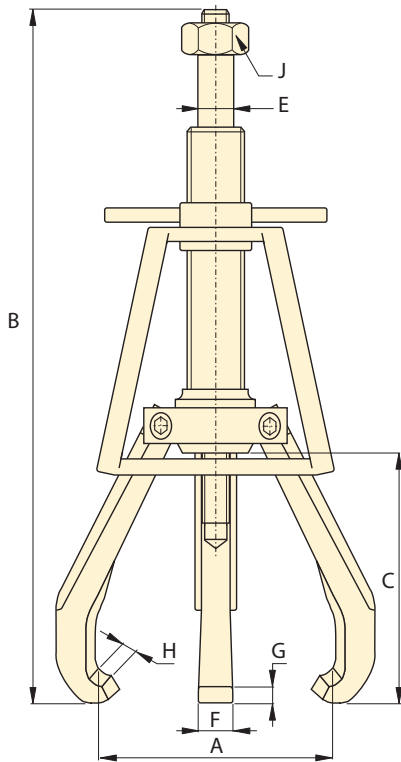
Internal Puller



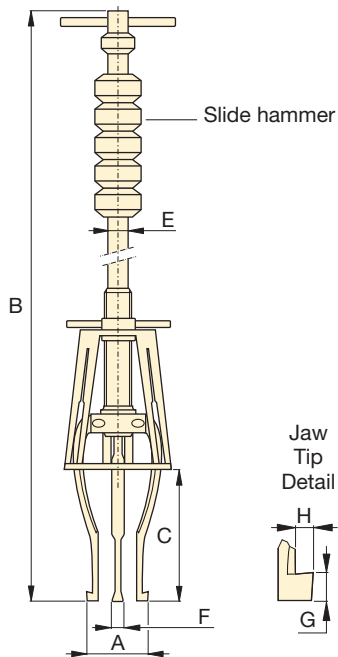
▼ QUICK SELECTION CHART INTERNAL PULLERS

For full technical information see next page.

Number of Jaws	Maximum Reach (in)	Spread Range (in)	Jaw Style	Model Number	Jaw Length (in)	Weight (lbs)
3	5.87	.56-4.00	Standard	EPPMI-6	6.62	8.6
	7.70	1.0-5.25	Long		8.62	8.6



**2- and 3-Jaw External Puller
EP-Series**



Internal Puller EPPMI-Series



▲ EP-204 2-jaw puller positioned to pull a water pump drive pulley.

▼ **SELECTION CHART EXTERNAL PULLERS**

Number of Jaws	Maximum Reach (in)	Spread Range (in)	Capacity (tons)	Model Number	Center Bolt Diameter (in)	Maximum Torque (ft.lb)
2	4.00	.5-5.0	2	EP-204	.56	20
3	4.00	.5-5.0	5	EP-104	.56	40
2	6.00	.5-7.0	6	EP-206	.66	75
3	6.00	.5-7.0	10	EP-106	.66	130
2	8.00	.75-12.0	12	EP-208	.79	150
3	8.00	.75-12.0	17	EP-108	.79	220
2	9.67	1.0-15.0	14	EP-210	.79	175
3	9.67	1.0-15.0	20	EP-110	.79	275
2	12.00	2.5-18.0	25	EP-213	1.17	475
3	12.00	2.5-18.0	30	EP-113	1.17	600
2	14.00	3.0-25.0	35	EP-216	1.23	800
3	14.00	3.0-25.0	40	EP-116	1.23	850

▼ **SELECTION CHART INTERNAL PULLERS**

Number of Jaws	Maximum Reach (in)	Spread Range (in)	Jaw Style	Model Number	Jaw Length (in)	Slide-hammer Weight (lbs)
3	5.87	.56-4.00	Standard	EPPMI-6	6.62	2.5
	7.70	1.00-5.25	Long		8.62	2.5

Posi Lock® Mechanical Grip Pullers



Shaft Protectors and Extenders

Shaft Protectors and Extenders are live centers that fit over the puller end for tip protection and added reach.



Long Jaws

Long Jaws are used to increase the reach and spread of manual pullers. They maintain the same pulling capacity as the standard jaws, but reduces clamping force by 25%.

EP EPP Series



Capacity:

2-40 tons

Maximum Reach:

4.00-14.00 inches

Spread Range:

0.50-25.00 inches

Length (in)	Diameter (in)	Increases Center Bolt Length (in)	Order: Model Number
1.00	0.75	0.38	EPP-4
1.97	0.75	1.50	EPX-4
1.22	0.87	0.50	EPP-6
1.97	0.87	1.50	EPX-6
1.22	1.00	0.50	EPP-10
1.97	1.00	1.50	EPX-10
2.00	1.38	0.83	EPP-1316

Note: See the chart below to reference matching pullers for these accessories.

Spread (in)	Reach (in)	Order: Model Number
1.5-15	9.67	EP-11054
1.5-22	15.78	EP-11054L
1.5-30	20	EP-11354L
1.0-5.26	8.62	EP-10554L*

* EPPMI-6 only

Dimensions								Model Number	Optional Accessories		
Spread Range	Overall Length	Maximum Reach	Center Bolt Diameter	Jaw Width	Tip Clearance	Tip Depth	Hex Socket Size				
A	B	C	E	F	G	H	J		Shaft Protectors	Extenders	Long Jaws
.5-5.0	9.68-12.75	4.00	.56	.54	.16	.18	7/8	EP-204	EPP-4	EPX-4	-
.5-5.0	9.68-12.75	4.00	.56	.54	.16	.18	7/8	EP-104	EPP-4	EPX-4	-
.5-7.0	12.75-18.75	6.00	.66	.75	.32	.24	1 1/16	EP-206	EPP-6	EPX-6	-
.5-7.0	12.75-18.75	6.00	.66	.75	.32	.24	1 1/16	EP-106	EPP-6	EPX-6	-
.75-12.0	16.25-24.25	8.00	.79	.77	.25	.36	1 1/4	EP-208	EPP-10	EPX-10	EP-11054
.75-12.0	16.25-24.25	8.00	.79	.77	.25	.36	1 1/4	EP-108	EPP-10	EPX-10	EP-11054
1.0-15.0	19.25-29.00	9.67	.79	.77	.25	.36	1 1/4	EP-210	EPP-10	EPX-10	EP-11054L
1.0-15.0	19.25-29.00	9.67	.79	.77	.25	.36	1 1/4	EP-110	EPP-10	EPX-10	EP-11054L
2.5-18.0	26.00-38.00	12.00	1.17	1.25	.50	.38	1 11/16	EP-213	EPP-1316	-	EP-11354L
2.5-18.0	26.00-38.00	12.00	1.17	1.25	.50	.38	1 11/16	EP-113	EPP-1316	-	EP-11354L
3.0-25.0	31.50-45.50	14.00	1.23	1.44	.53	.46	1 13/16	EP-216	EPP-1316	-	-
3.0-25.0	31.50-45.50	14.00	1.23	1.44	.53	.46	1 13/16	EP-116	EPP-1316	-	-

Note: Overall length (B) is dependent on position of center bolt.

Dimensions (in)							Model Number
Spread Range	Overall Length	Maximum Reach	Slide Rod Diameter	Jaw Width	Tip Clearance	Tip Depth	
A	B	C	E	F	G	H	
.56-4.00	29.00	5.87	.52	.33	.12	.06	EPPMI-6
1.00-5.25	31.00	7.70	.52	.33	.30	.18	



Always wear Safety Goggles and Gloves while using pullers.

▼ Shown: EPHR-110



High-Tech Pulling



Transport and Store

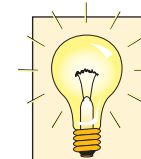
Conveniently store and transport hydraulic pullers and accessories. Order the **EPT-2550** Storage Cart and make your job easier to do!



Long Jaws

Long Jaws are used to increase the reach and spread of hydraulic pullers. They maintain the same pulling capacity as the standard jaws, but reduces clamping force by 25%.

Page: 180



Application Tip

Because of the unique safety cage design, Posi Lock® pullers will grip on surfaces where normal pullers would slip off; e.g. tapered bearings.

- Patented “Safety Cage” jaw retention system
- High force hydraulic system for effortless pulling of large components
- Slim tapered jaws for better gripping in tight spots
- Available in 2 and 3 jaw design
- More efficient pulling, as one man can do the job where normal pullers often require two operators

▼ An EPH-113 hydraulic Posi Lock® puller easily removes machined parts from a heavy-production press.



Basic Pullers only, cylinder not included.

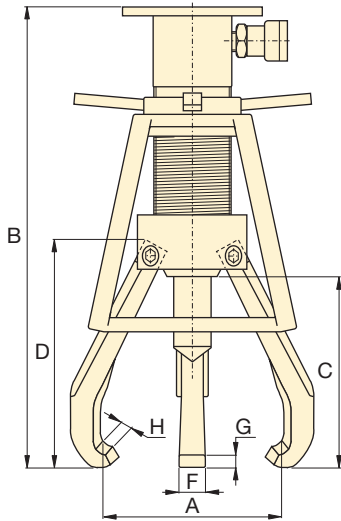
Number of Jaws	Maximum Spread	Spread Range	Capacity	Model Number*
	(in)	(in)		
2	12.00	.75-12.0	10	EPH-208
3	12.00	.75-12.0		EPH-108
2	15.00	1.0-15.0	15	EPH-210
3	15.00	1.0-15.0		EPH-110
2	18.00	2.5-18.0	25	EPH-213
3	18.00	2.5-18.0		EPH-113
2	25.00	3.0-25.0	50	EPH-216
3	25.00	3.0-25.0		EPH-116

*Cylinder is not included.

Posi Lock® Hydraulic Grip Pullers

▼ SETS SELECTION CHART

Style	Capacity (ton)	Basic Puller	Cylinder	Stroke (in)	Pump Set	Set Model Number	Weight (lbs)
2 Jaw Puller	10	EPH-208	RC-106	6	-	EPHR208	24
	10	EPH-208	RC-106	6	EP-1	EPHS208	60
	15	EPH-210	RC-1510	10	-	EPHR210	49
	15	EPH-210	RC-1510	10	EP-1	EPHS210	85
	25	EPH-213	RC-2514	14.25	-	EPHR213	98
	25	EPH-213	RC-2514	14.25	EP-1	EPHS213	118
	50	EPH-216	RC-5013	13.25	-	EPHR216	192
	50	EPH-216	RC-5013	13.25	EP-2	EPHS216	212
3 Jaw Puller	10	EPH-108	RC-106	6	-	EPHR108	26
	10	EPH-108	RC-106	6	EP-1	EPHS108	62
	15	EPH-110	RC-1510	10	-	EPHR110	52
	15	EPH-110	RC-1510	10	EP-1	EPHS110	88
	25	EPH-113	RC-2514	14.25	-	EPHR113	106
	25	EPH-113	RC-2514	14.25	EP-1	EPHS113	126
	50	EPH-116	RC-5013	13.25	-	EPHR116	202
	50	EPH-116	RC-5013	13.25	EP-2	EPHS116	222



EPH Series



Capacity:

10-50 tons

Maximum Reach:

8.0-14.0 inches

Spread Range:

0.75-25.0 inches

Maximum Operating Pressure:

10,000 psi




Pump Sets

All Posi Lock Hydraulic Puller Sets that include 115 VAC pumps will feature the following components:

	EP-1 Pump Set	EP-2 Pump Set
Pump	PUJ-1200B	ZE3208MB
Hose	HC-9210	HC-9210
Gauge	G-2535L	G-2535L
Adapter	N/A	GA-3

Components for 230 VAC pumps are available on request.

▼ *Optional Accessory

Dimensions (in)							Weight (lbs)	Model Number			
Spread Range	Overall Length	Max. Reach	Jaw Length	Jaw Width	Tip Clearance	Tip Depth					
A	B	C	D	F	G	H					
.75-12.0	19.61	8.00	9.34	.88	.29	.27	14	EPH-208	EPH-155	EPH-11052	EP-11054
.75-12.0	19.61	8.00	9.34	.88	.29	.27	16	EPH-108	EPH-155	EPH-11052	EP-11054
1.0-15.0	26.19	10.00	10.64	1.00	.441	.36	22	EPH-210	EPH-155	EPH-11052	EPH-11054L
1.0-15.0	26.19	10.00	10.64	1.00	.441	.36	25	EPH-110	EPH-155	EPH-11052	EPH-11054L
2.5-18.0	33.31	12.00	13.72	1.25	.508	.38	47	EPH-213	EPH-257	EPH-11352	EPH-11354L
2.5-18.0	33.31	12.00	13.72	1.25	.508	.38	55	EPH-113	EPH-257	EPH-11352	EPH-11354L
3.0-25.0	36.19	14.00	16.29	1.44	.598	.46	90	EPH-216	EPH-508	EPH-11652	-
3.0-25.0	36.19	14.00	16.29	1.44	.598	.46	100	EPH-116	EPH-508	EPH-11652	-

For full details on puller accessories see page 170.

* Long Jaws are available as optional accessories.

EPH Series



Capacity:
10-50 tons

Maximum Reach:
9.7-20.0 inches




Spread Range:
1.5-30.0 inches



IMPORTANT!

Always wear Safety Goggles and Gloves while using pullers.

▼ RAM POINT SETS SELECTION CHART

Fits Model Number	EPH-208 EPH-108 EPH-210 EPH-110	EPH-213 EPH-113	EPH-216 EPH-116
			
Set Number	EPH-155	EPH-257	EPH-508
Set Includes	Dia. x Length (in)	Dia. x Length (in)	Dia. x Length (in)
Flat Ram Point	1 x 1	1.5 x 2.25	2 x 3
	1 x 3	2 x 2.25	2.75 x 3
	–	2 x 4	2.75 x 5
Tapered Ram Point	1 x 1.5	1.5 x 2.5	2 x 3.75
	1 x 3.5	2 x 2.5	2 x 3.75
	–	2 x 4.5	2.75 x 5.5
Ram Point Adaptor	–	–	2.75 x 2.25

▼ LIFT PLATE SELECTION CHART

Fits Puller Set Model Number	Model Number *	Thickness (in)	Diameter (in)
EPH-208	EPH-11052	.25	6
EPH-108	EPH-11052	.25	6
EPH-210	EPH-11052	.25	6
EPH-110	EPH-11052	.25	6
EPH-213	EPH-11352	.38	8
EPH-113	EPH-11352	.38	8
EPH-216	EPH-11652	.38	10
EPH-116	EPH-11652	.38	10



* Mounting screws included. Lifting plates are standard included with EPH-Series Pullers.

▼ LONG JAW SELECTION CHART

Fits Puller Set Model Number	Model Number	No. of Jaws Required	Spread Range (in)	Max. Reach (in)	Wt. (each) (lbs)
EPH-208	EP-11054	2	2.25 - 15.0	9.7	2.5
EPH-108		3			
EPH-210	EPH-11054L	2	1.5 - 22.0	15.8	5.5
EPH-110		3			
EPH-213	EPH-11354L	2	1.5 - 30.0	20.0	10.5
EPH-113		3			



◀ EPH-11054L

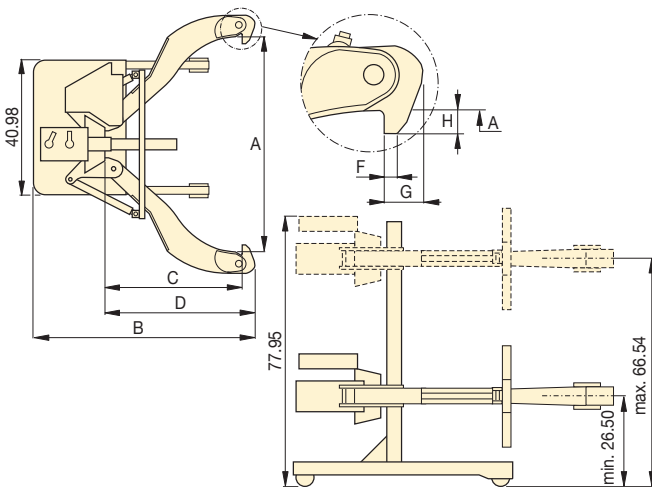
Long Jaws are used to increase the reach and spread of hydraulic pullers. They maintain the same pulling capacity as the standard jaws, but reduces clamping force by 25%.

Posi Lock® 100-Ton Hydraulic Grip Pullers

▼ EPH-1003



- Roller cart with power lift
- Adjustable jaw tips
- Puller easily detaches from cart
- Self-contained unit
- Puller height range 26.5" to 66.5"



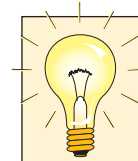
EPH Series

Capacity:
100 tons

Maximum Reach:
48 inches

Spread Range:
7.5 - 70 inches

Maximum Operating Pressure:
10,000 psi



Pushing Adaptors

All Posi Lock 100 Ton Hydraulic Pullers include (3) pushing adaptors.

Diameter (in)	Overall Length (in)	Model Number
3.5	29	EPHT-1162
3.5	19	EPHT-1163
3.5	9	EPHT-1164



▲ The EPH-1002 quickly and easily removes this drive coupler from its shaft.

Number of Jaws	Max. Spread (in)	Capacity (tons)	Model Number	Dimensions (in)							Weight (lbs)
				Spread Range	Overall Length	Reach (max.)	Jaw Length	Jaw Width	Tip Clearance	Tip Depth	
				A	B	C	D	F	G	H	
2	70.00	100	EPH-1002	7.5-70.0	77.00	48.00	53.00	1.25	3.5	3.5	1700
3	70.00		EPH-1003	7.5-70.0	77.00	48.00	53.00	1.25	3.5	3.5	1950