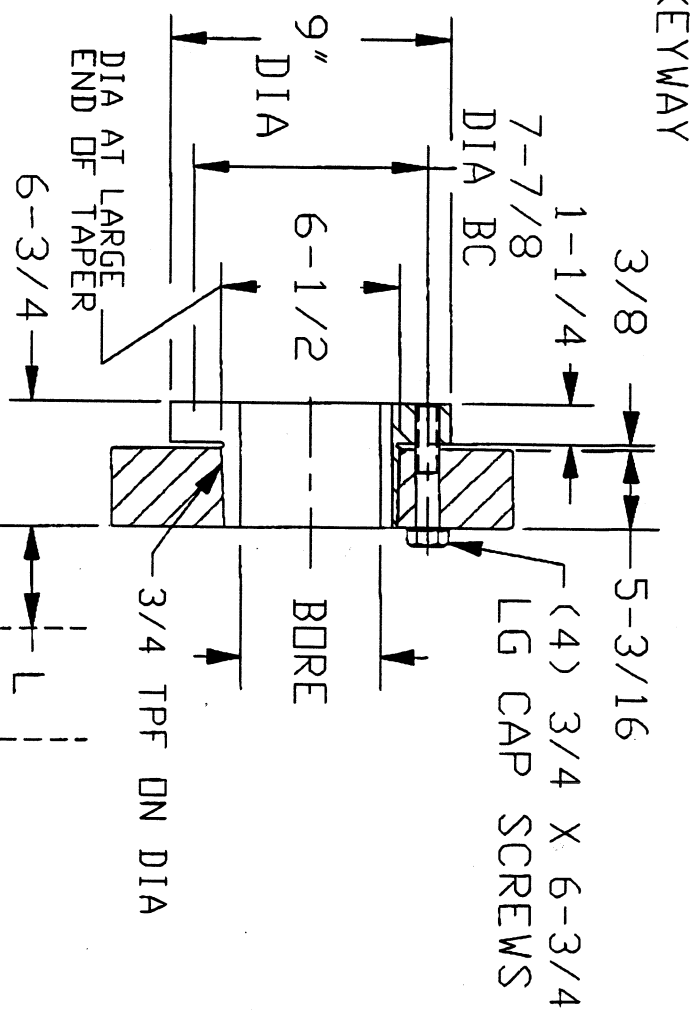
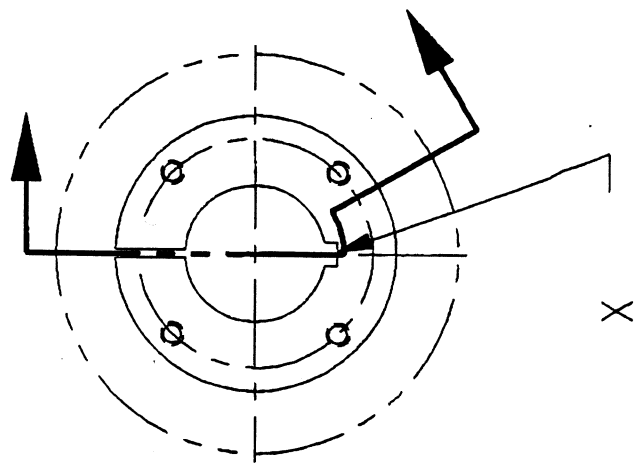


"M" Q-D BUSHING



CONVENTIONAL MOUNTING

| | | | |
|---|------------------|----------------------|------------------|
| CONVENTIONAL MOUNTING SPACE REQUIRED | | | |
| TO TIGHTEN BUSHING | | TO LOOSEN BUSHING | |
| OPEN END WRENCH | SOCKET WRENCH | OPEN END WRENCH | SOCKET WRENCH |
| 2-5/32 | 4-1/32 | 7-11/16 | 9-9/16 |

CERTIFIED

| | |
|---|---|
| CUSTOMER NAME: _____ CUSTOMER DWG NO.: _____ | APPROVED BY: _____ DATE: _____ |
| THE GATES RUBBER CO. DENVER, COLORADO | DR. BY: _____ DATE: _____ CK. BY: _____ APPD. BY: _____ |
| DRAWING NO. _____ | DIST. _____ |

THIS DRAWING IS THE PROPERTY OF GATES RUBBER COMPANY AND IS NOT TO BE REPRODUCED OR COPIED IN ANY MANNER WITHOUT THE WRITTEN PERMISSION OF GATES RUBBER COMPANY. GATES RUBBER COMPANY IS NOT RESPONSIBLE FOR ANY DAMAGE TO PROPERTY OR PERSONS ARISING FROM THE USE OF THIS DRAWING. GATES RUBBER COMPANY CAN BE ORDERED BY CONTACTING GATES INDUSTRIAL SALES DIVISION.